

LINK CASTER STEER TRAILERS

Series 53

- Nutting Link Caster Steer Trailers' steering arrangement provides effortless steering and accurate trailing, plus equal 4-point, safe load support through sharper turns. Perfect for tall or high center of gravity loads
- Steering is accomplished through linkage arms connected to swivel assemblies, activated by towing tongue.
- Equal four-point stability.
- Excellent trailing characteristics.
- Available in dual and quad steering.

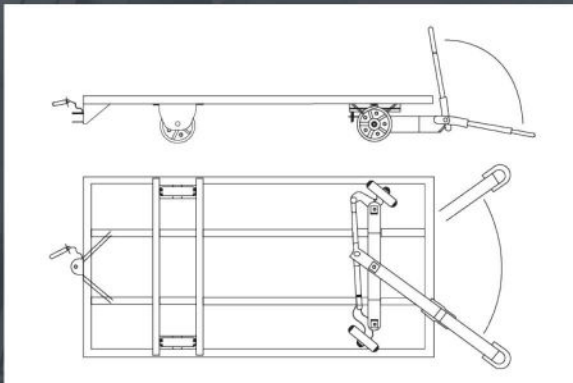
Product Features

- Robust steel frame construction
- Industrial grade casters and wheels
- Couplers designed to interface with a tow vehicle hitch
- Quality paint finish

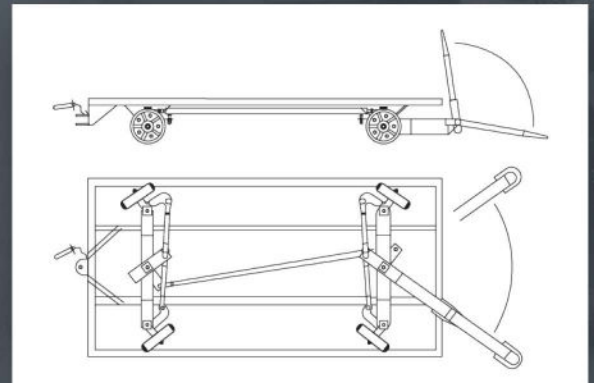
Applications

- Warehousing & Distribution
- Manufacturing / Industrial Plants

Dual Steer Option



Quad Steer Option



Nutting
CARTS & TRAILERS



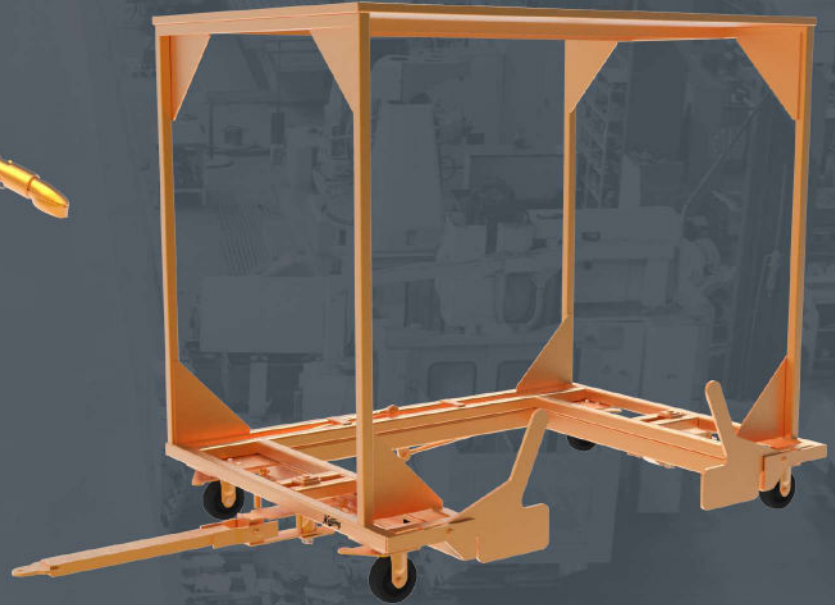
LINK CASTER STEER TRAILERS

Series 53



Nutting
CARTS & TRAILERS

Since 1891, Nutting continues to be the premier manufacturer of engineered material handling carts, trucks, and trailers. Nutting carts feature sturdy materials using state-of-the-art fabrication to support any task and are built for life.



Common applications for our handling carts and trailers include warehouses, distribution centers, and manufacturing facilities. We also manufacture specialized solutions through modification of existing products or construct completely customizable solutions based on unique project needs.

Reach out to us for your next project!

**Order Picking Platforms | Caster Steer Trailers | Fifth Wheel Steer Trailers
Link Caster Steer Trailers | Hybrid Trailers | Mother/Daughter Carts
Automotive Steer Trailers | Pivot Steer Trailers | Platforms | & More!**



450 Pheasant Ridge Drive • Watertown, SD 57201
1.800.533.0337 • AccoNutting.com

