

FIFTH WHEEL STEER TRAILERS



Series 54

- Nutting Fifth Wheel Steer Trailers are excellent for indoor/outdoor applications and severe duty usage
- Fifth Wheel trailers turn utilizing a 5th wheel (turntable) assembly attached to the towing tongue
- Offers excellent trailing characteristics
- Available in dual and quad steering.



Product Features

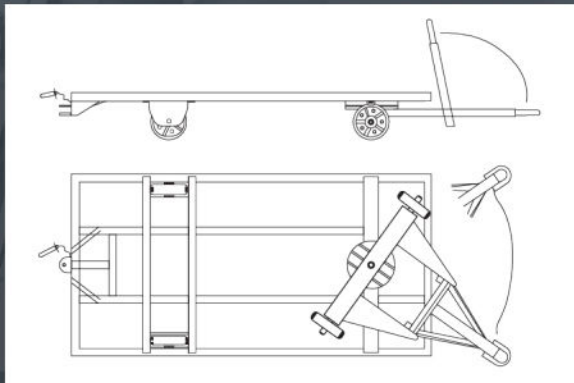
- Robust steel frame construction
- Industrial grade casters and wheels
- Couplers designed to interface with a tow vehicle hitch
- Quality paint finish



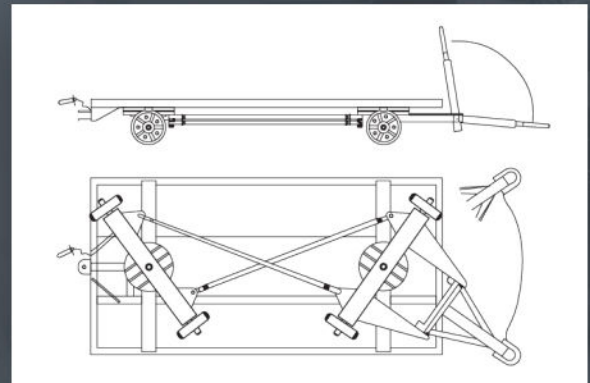
Applications

- Warehousing & Distribution
- Manufacturing / Industrial Plants

Dual Steer Option



Quad Steer Option



450 Pheasant Ridge Drive • Watertown, SD 57201
1.800.533.0337 • AccoNutting.com



FIFTH WHEEL STEER TRAILERS

Series 54

Nutting
CARTS & TRAILERS



Since 1891, Nutting continues to be the premier manufacturer of engineered material handling carts, trucks, and trailers. Nutting carts feature sturdy materials using state-of-the-art fabrication to support any task and are built for life.



Common applications for our handling carts and trailers include warehouses, distribution centers, and manufacturing facilities. We also manufacture specialized solutions through modification of existing products or construct completely customizable solutions based on unique project needs.



Reach out to us for your next project!

**Order Picking Platforms | Caster Steer Trailers | Fifth Wheel Steer Trailers
Link Caster Steer Trailers | Hybrid Trailers | Mother/Daughter Carts
Automotive Steer Trailers | Pivot Steer Trailers | Platforms | & More!**



450 Pheasant Ridge Drive • Watertown, SD 57201
1.800.533.0337 • AccoNutting.com

