

CASTER STEER TRAILERS



Series 52

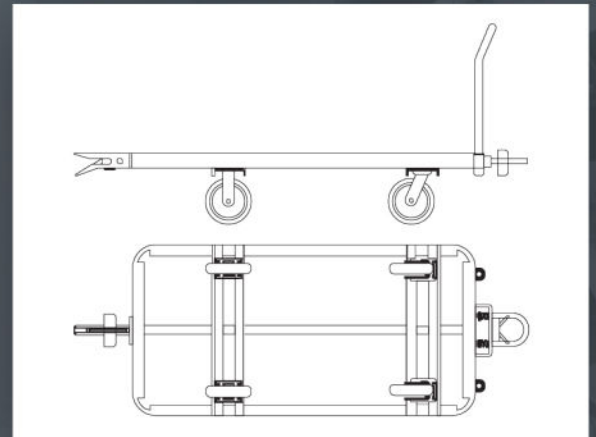
- Nutting Caster Steer Trailers are our most popular and cost-effective trailer type
- Caster steer trailers steer by two (2), front swivel casters, Two (2), rear mounted rigid casters
- Dual steering offers excellent trailing characteristics while allowing for easy manual maneuverability

Product Features

- Robust steel frame construction
- Industrial grade casters and wheels
- Couplers designed to interface with tow vehicle hitch
- Quality paint finish

Applications

- Warehousing & Distribution
- Manufacturing / Industrial Plants



450 Pheasant Ridge Drive • Watertown, SD 57201
1.800.533.0337 • AccoNutting.com



CASTER STEER TRAILERS

Series 52

Nutting
Carts & Trailers



Since 1891, Nutting continues to be the premier manufacturer of engineered material handling carts, trucks, and trailers. Nutting carts feature sturdy materials using state-of-the-art fabrication to support any task and are built for life.



Common applications for our handling carts and trailers include warehouses, distribution centers, and manufacturing facilities. We also manufacture specialized solutions through modification of existing products or construct completely customizable solutions based on unique project needs.

Reach out to us for your next project!

Order Picking Platforms | Caster Steer Trailers | Fifth Wheel Steer Trailers
Link Caster Steer Trailers | Hybrid Trailers | Mother/Daughter Carts
Automotive Steer Trailers | Pivot Steer Trailers | Platforms | & More!



450 Pheasant Ridge Drive • Watertown, SD 57201
1.800.533.0337 • AccoNutting.com

